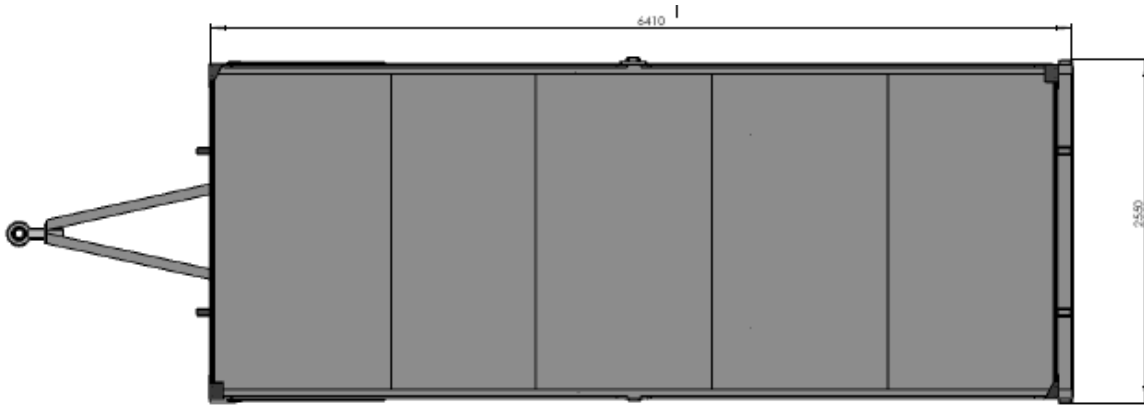
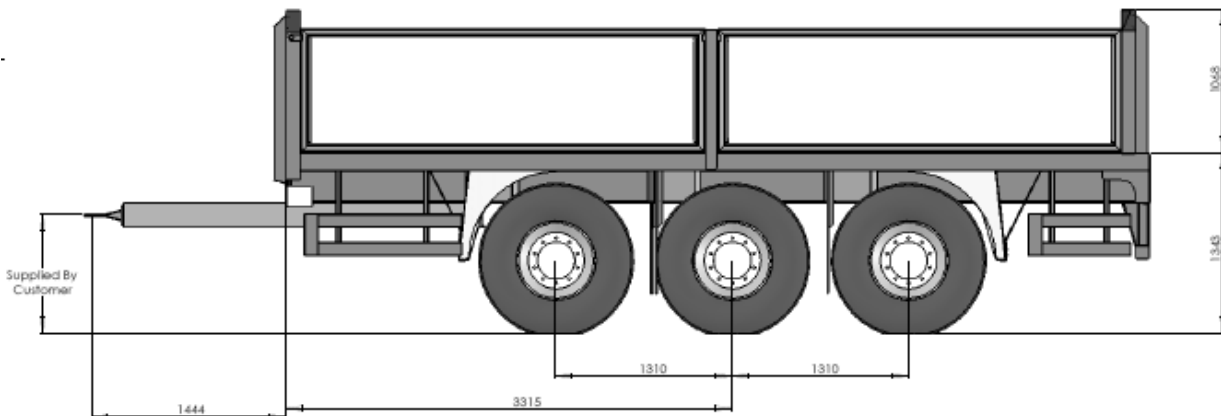




MAC – DF3 – 25 – BB



Optional extras demountable Backboard



X DIMENSIONS

- Length – 7905mm
- Bed – 6400mm (21ft)
- Loading Height – 1310mm
- Width 2550mm

X CHASSIS

- Constructed from 254x146x43kg RSJ with 150x150x6.3
- 100x100x6.3 beam spacers at the front, the hangers & at the airbags
- Cross-members 100x56 IPE & a 125x65 RSA chime

X DRAWBAR

- A Frame type drawbar made from 2no 180x76 PFC allowing the hitch height & towing size to be specified by customer

X AXLE & SUSPENSION

- Granning axles complete with air suspension on 430 ride height
- Air suspension complete with load sensing leveling valve

X BRAKES

- Two line, air operated, 'S' cam type drum brakes
- Automatic slack adjusters fitted to all axles.
- Air operated push button handbrake
- Load sensed anti-lock system with diagnostic module

X TYRES AND WHEELS

- Super single type 385x70x22.5 10stud spigot wheel rims

X LANDING LEGS

- Single speed jost landing leg, captive handle

X FLOOR

- 5mm MSP

X FITTINGS & ELECTRICS

- 24V ISO standard system; via 2 x 7 pin ISO sockets. 24S-24N
- Reversing lights and indicators
- Double steel RHS
- 'Long vehicle' signs fitted
- Side guards
- Fixed headboard 1070mm high

X SPRAY SUSPENSION

- All steel fabricated mud guards with spray suppression mud flaps behind rear wheels

X PAINTING FINISH

- All steel parts are shotblasted and coated with high build primer
- Tailer to be finished in a two pack paint McCauley Red

X STORAGE

- 1 no toolbox

X AXLE

- Tandem Axle
- Tri- Axle

OPTIONAL EXTRAS

Bed Length

- 18ft
- 24ft

- BPW Axles
- Front Lift Axle
- Raise Lower Valve

- Toolbox plastic

- Crib sides
- Tarpaulin Sides

- Higher headboard
- Rear headboard

- Hardwood floor

Colour:- _____

Hitch height _____ mm

Please Circle

Pin size 50mm / 57.5mm

Additional Specification

DELIVERY

- Ex-works
- Delivered
- Shipped to docks

