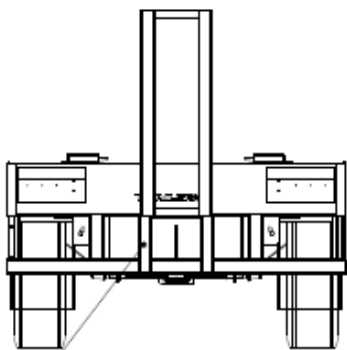
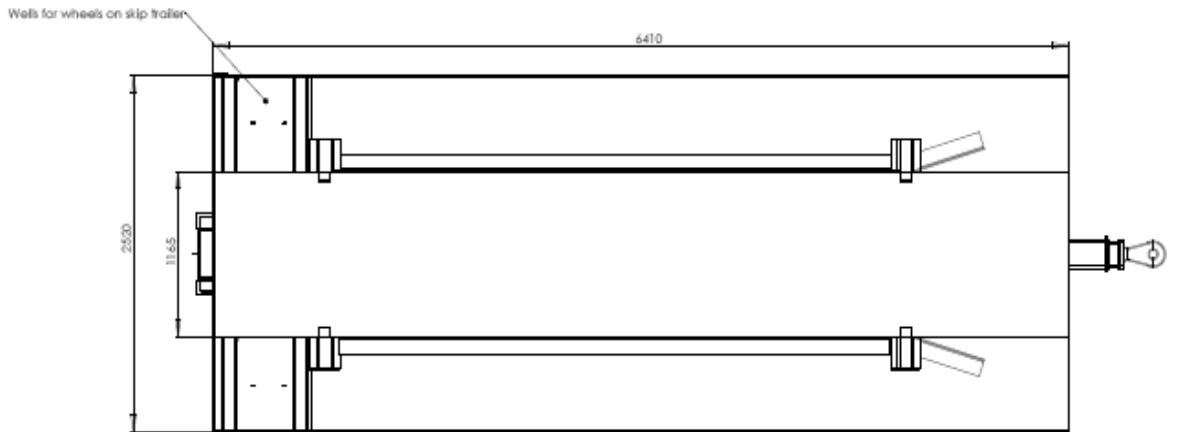
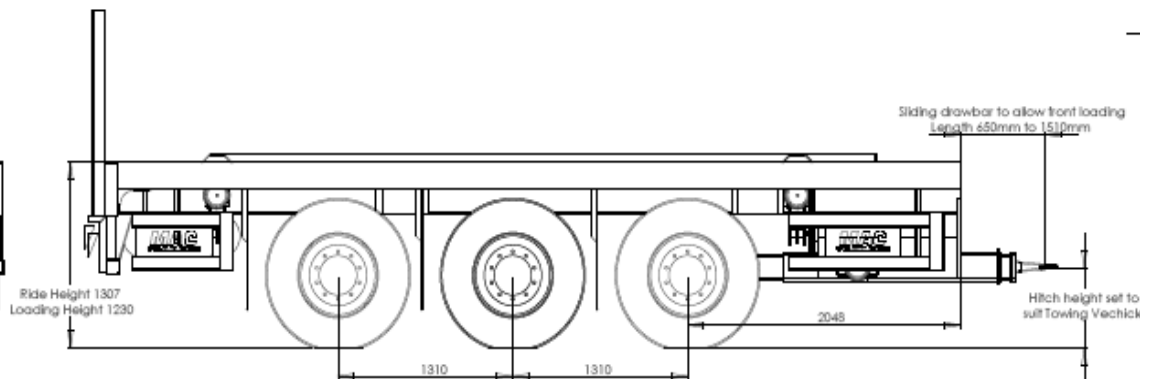




MAC - DS2 - 19 - F



Brackets and Hy Tower Sheeling Systems can be added



X DIMENSIONS

- Length – 7600mm
- Bed – 6400mm (21ft)
- Loading Height – 1310mm (TBA)
- Width 2550mm

X CHASSIS

- Constructed from 254x146x43kg RSJ with 150x150x6.3
- 100x100x6.3 beam spacers at the front, the hangers & at the airbags
- Heavy-duty alignment flanges to allow body location

X LOCKS

- Double Centre Body clamp anchor locks to secure container air out/ spring in auto system @ 14' Centres

X TOWING HITCH

- Hitch height & towing size to be specified by customer

X AXLE & SUSPENSION

- 2 no Granning axles complete with air suspension on 430 ride height
- Air suspension complete with load sensing leveling valve
- Manual raise lower facility with automatic ride height to reset

X BRAKES

- Two line, air operated, 'S' cam type drum brakes
- Automatic slack adjusters fitted to all axles.
- Air operated push button handbrake
- Load sensed anti-lock system with diagnostic module
- EBS test point on chassis

X TYRES AND WHEELS

- Super single type 385x65x22.5 10stud spigot wheel rims

X LANDING LEGS

- 4 pair Single speed joist landing leg mounted below front and rear of frame, captive handle

X FLOOR

- 10mm at sides and 4.5mm dubar in middle

X FITTINGS & ELECTRICS

- 24V ISO standard system; via 2 x 7 pin ISO sockets. 24S-24N
- Reversing lights and indicators
- Double steel RHS
- 'Long vehicle' signs fitted
- Side guards

X SPRAY SUSPENSION

- All steel fabricated mud guards with spray suppression mud flaps behind rear wheels

X PAINTING FINISH

- All steel parts are shotblasted and coated with high build primer
- Tailer to be finished in a two pack paint McCauley Red

X STORAGE

- 1 no toolbox

DELIVERY

- Ex-works
- Delivered
- Shipped to docks

Please Circle

Pin Size 50mm / 57.5mm

Pin type VBG/Rockinger

Hitch height _____mm

OPTIONAL EXTRAS

Skip Trailer

- BPW Axles
- ROR Axles
- Lift Axle
- Toolbox plastic
- Hy-Tower Sheeting System
- Hydraulic Landing legs (4no)

Tyres

- Spare Wheel
- Spare Wheel carrier
- Michenlin/Bridgestone Tyres
- 245/70 x 19.5 new tyres

Drawbar

- Telescopic Drawbar In
- Telescopic Drawbar Out
- VBG Bolt on eye
- VBG 50mm weld on eye
- VBG 57.5mm weld on eye

Air & Electric connections

- Air & electric suzi's
- Power pack lead
- ABS lead

Lights

- Double Tail Lights

Colour Code: - _____

Additional Specification