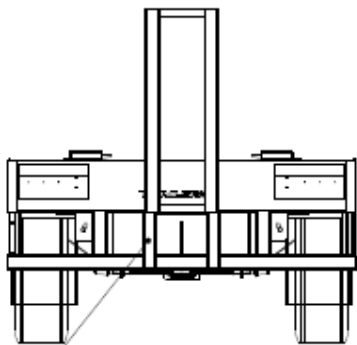
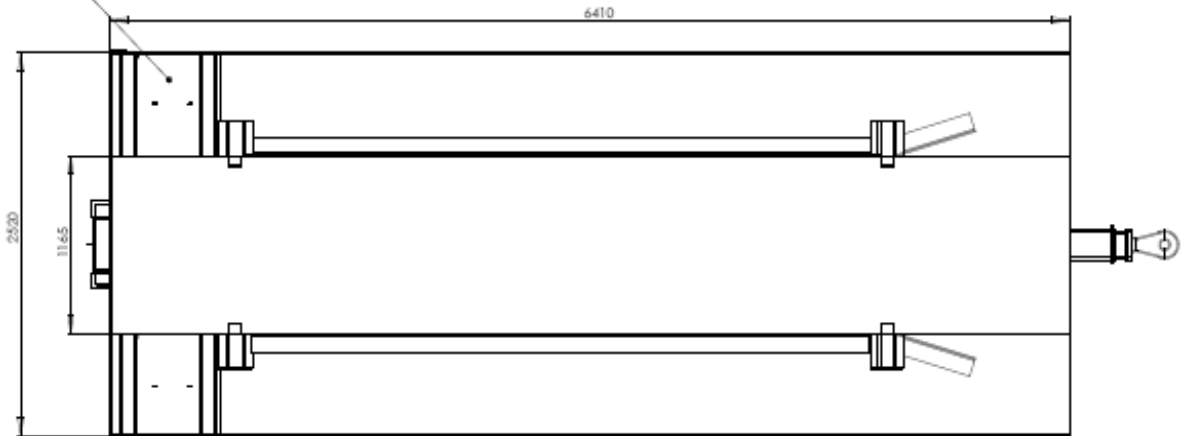




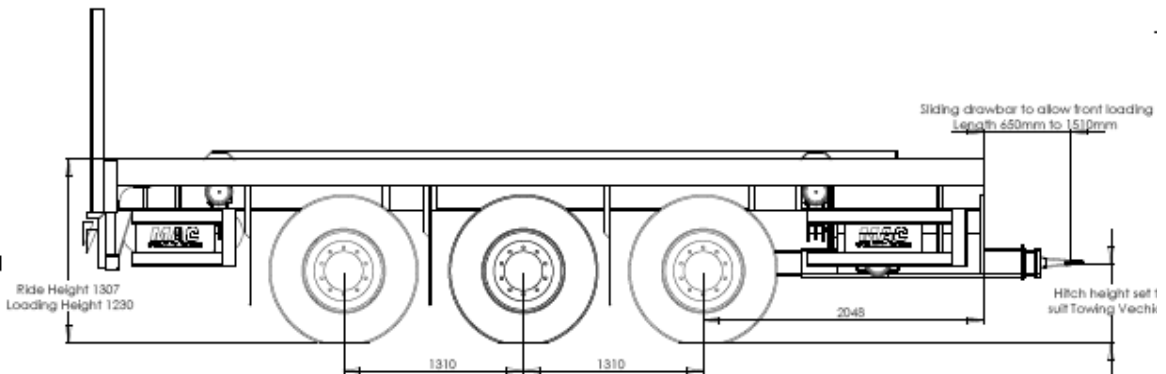
# MAC - DS3 - 25 - F



Wells for wheels on skip trailer



Brackets and Hy Tower Sheeting Systems can be added



**X DIMENSIONS**

- Length – 7600mm
- Bed – 6400mm (21ft)
- Loading Height – 1310mm (TBA)
- Width 2550mm

**X CHASSIS**

- Constructed from 254x146x43kg RSJ with 150x150x6.3
- 100x100x6.3 beam spacers at the front, the hangers & at the airbags
- Heavy-duty alignment flanges to allow body location

**LOCKS**

- Double Centre Body clamp anchor locks to secure container air out/ spring in auto system @ 14' Centres

**X TOWING HITCH**

- Hitch height & towing size to be specified by customer

**X AXLE & SUSPENSION**

- 3no Granning axles complete with air suspension on 430 ride height
- Air suspension complete with load sensing leveling valve
- Complete with Front Lift Axle
- Manual raise lower facility with automatic ride height to reset

**X BRAKES**

- Two line, air operated, 'S' cam type drum brakes
- Automatic slack adjusters fitted to all axles.
- Air operated push button handbrake
- Load sensed anti-lock system with diagnostic module
- EBS test point on chassis

**X TYRES AND WHEELS**

- Super single type 385x65x22.5 10stud spigot wheel rims

**X LANDING LEGS**

- 4 pair Single speed joist landing leg mounted below front and rear of frame, captive handle

**X FLOOR**

- 10mm at sides and 4.5mm dubar in middle

**X FITTINGS & ELECTRICS**

- 24V ISO standard system; via 2 x 7 pin ISO sockets. 24S-24N
- Reversing lights and indicators
- Double steel RHS
- 'Long vehicle' signs fitted
- Side guards

**X SPRAY SUSPENSION**

- All steel fabricated mud guards with spray suppression mud flaps behind rear wheels

**X PAINTING FINISH**

- All steel parts are shotblasted and coated with high build primer
- Trailer to be finished in a two pack paint McCauley Red

**X STORAGE**

- 1no toolbox

**OPTIONAL EXTRAS**

- BPW Axles
- ROR Axles
- Lift Axle
- Toolbox plastic
- Hy-Tower Sheeting System
- Hydraulic Landing legs (4no)

**Tyres**

- Spare Wheel
- Spare Wheel carrier
- Michelin/Bridgestone Tyres
- 245/70 x 19.5 new tyres

**Drawbar**

- Telescopic Drawbar In
- Telescopic Drawbar Out
- VBG Bolt on eye
- VBG 50mm weld on eye
- VBG 57.5mm weld on eye

**Air & Electric connections**

- Air & electric suzi's
- Power pack lead
- ABS lead

**Lights**

- Double Tail Lights

**DELIVERY**

- Ex-works
- Delivered
- Shipped to docks

**FOR OFFICE USE ONLY:**

Pin Size 50mm / 57.5mm  
Pin type VBG/Rockinger

Hitch height \_\_\_\_\_mm

Colour Code \_\_\_\_\_

**Additional Specification**